

1010881C00

Concept

Concept Under Counter Basin

STYLE SEGMENT

- Modern

KEY SPECIFICATIONS

- Installation Type: Undercounter
- Product Dimensions: 461 x 461 x 191
- Material: Ceramics
- Color: White
- Overflow Hole: With
- Faucet Ledge: No
- Included Components: yes



SHIPPING WEIGHT

- Net Weight: 7.5
- Gross Weight: 8.2

KEY TECHNOLOGIES AND FEATURES

HYGIENE

- Complies with American Standard Quality Standards

COMFORT

- Complies with American Standard Quality Standards

CONVENIENCE

- Complies with American Standard Quality Standards

DURABILITY

- Complies with American Standard Quality Standards

SUSTAINABILITY

- Complies with American Standard Quality Standards

SAFETY

- Complies with American Standard Quality Standards

OTHERS

- NIL

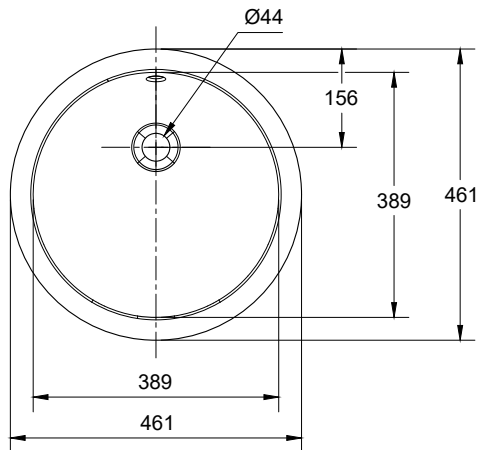
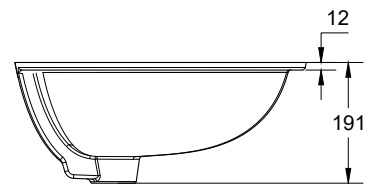
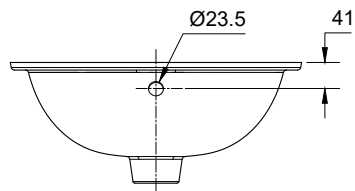
STANDARDS AND CERTIFICATIONS

- TIS-791:2554(2011)
- MS 2578-2014
- PNS 156:2010

1010881C00

Concept

Concept Under Counter Basin



1010881C00

Concept

Concept Under Counter Basin

Item	Description	Concept Under Counter Basin
Installations	Type	Undercounter
Dimensions	Product (mm)	461 x 461 x 191
Material & Color	Material	Ceramics
	Color	White
Features	Overflow Hole	With
	Faucet Ledge	No
Components	Included	yes
Shipping	Net Weight (kg)	7.5
	Gross Weight (kg)	8.2
	Product Weight (kg)	6.5
	Dimensions (mm)	527 x 442 x 225