

CCAS6507-3120410C0

Concept

Concept 1.5 L Urinal HE2 (AC)

STYLE SEGMENT

- Contemporary

KEY SPECIFICATIONS

- Product Description: integrated sensor
- Product Dimensions: 365 x 465 x 850
- Installation Type: Wall Hung
- Flush Valve Included: Yes
- Flushing Mechanism: Rim
- Flush Volume: 1
- Inlet Hole Location: Back
- Inlet Spud Diameter (mm): 12.7
- Outlet Connection Diameter (mm): 46
- Operating Pressure - Dynamic (MPa): 0.05
- Operating Pressure - Static (MPa): 0.75
- Material: Vitreous China
- Color: White Heat II



SHIPPING WEIGHT

- Net Weight: 41
- Gross Weight: 45

KEY TECHNOLOGIES AND FEATURES

HYGIENE

- Complies with American Standard Quality Standards

COMFORT

- Complies with American Standard Quality Standards

CONVENIENCE

- Complies with American Standard Quality Standards

DURABILITY

- Complies with American Standard Quality Standards

SUSTAINABILITY

- Complies with American Standard Quality Standards

SAFETY

- Complies with American Standard Quality Standards

OTHERS

- NIL

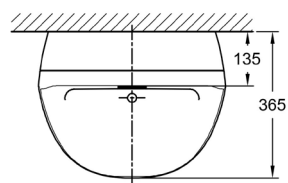
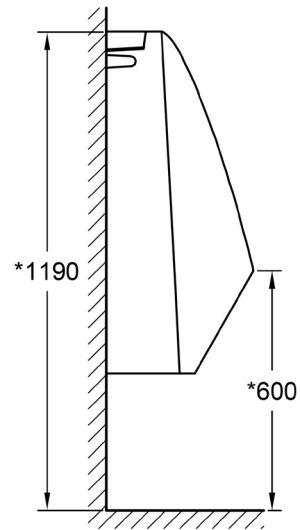
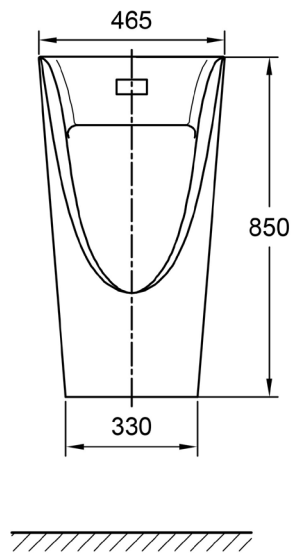
STANDARDS AND CERTIFICATIONS

- GB/T 6952-2015

CCAS6507-3120410C0

Concept

Concept 1.5 L Urinal HE2 (AC)



CCAS6507-3120410C0

Concept

Concept 1.5 L Urinal HE2 (AC)

Product	Description	integrated sensor
	Dimensions (mm)	365 x 465 x 850
	Weight (kg)	41
Installation	Type	Wall Hung
Flush	Flush Valve Included	Yes
	Mechanism	Rim
	Volume	1
Inlet	Hole Location	Back
	Spud Diameter (mm)	12.7
Outlet	Connection Diameter (mm)	46
	Connection Type	flange
Operating Pressure	Dynamic (MPa)	0.05
	Static (MPa)	0.75
Material & Color	Material	Vitreous China
	Color	White Heat II
Trapway	Type	S Trap
Shipping	Net Weight (kg)	41
	Gross Weight (kg)	45
	Dimensions (mm)	880 x 505 x 395