

CL0507I-6DACTLA

## Acacia Evolution

Acacia E Above basin 60cm. WT

### STYLE SEGMENT

- Modern

### KEY SPECIFICATIONS

- Installation Type: Vessel
- Product Dimensions: 460 x 600 x 181
- Material: Vitreous China
- Color: White
- Overflow Hole: With
- Faucet Ledge: Yes
- Included Components: Overflow Plug, Installation Template



### SHIPPING WEIGHT

- Net Weight: 20.5
- Gross Weight: 22.1

### KEY TECHNOLOGIES AND FEATURES

#### HYGIENE

- Complies with American Standard Quality Standards

#### COMFORT

- Complies with American Standard Quality Standards

#### CONVENIENCE

- Complies with American Standard Quality Standards

#### DURABILITY

- Complies with American Standard Quality Standards

#### SUSTAINABILITY

- Complies with American Standard Quality Standards

#### SAFETY

- Complies with American Standard Quality Standards

#### OTHERS

- NIL

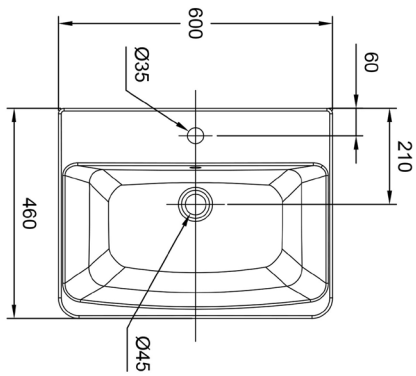
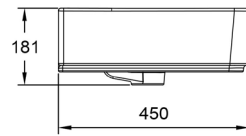
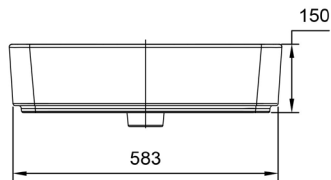
### STANDARDS AND CERTIFICATIONS

- TIS-791:2554(2011)

CL0507I-6DACTLA

Acacia Evolution

Acacia E Above basin 60cm. WT



CL0507I-6DACTLA

Acacia Evolution

Acacia E Above basin 60cm. WT

<b>Item</b>	Description	Acacia E Above Lavatory 600 mm
<b>Installations</b>	Type	Vessel
<b>Dimensions</b>	Product (mm)	460 x 600 x 181
<b>Material &amp; Color</b>	Material	Vitreous China
	Color	White
<b>Features</b>	Overflow Hole	With
	Faucet Ledge	Yes
<b>Components</b>	Included	Overflow Plug, Installation Template
<b>Shipping</b>	Net Weight (kg)	20.5
	Gross Weight (kg)	22.1
	Product Weight (kg)	20.5
	Dimensions (mm)	650 x 210 x 505