

CL23075-6DACTCB

Acacia Evolution**Acacia E CC Vortex 2.6/4 CBR Comp.set WT****STYLE SEGMENT**

- Modern

KEY SPECIFICATIONS

- Product Dimensions: 741 x 385 x 741
- Installation Type: Floor Mounted
- Flushing System: Double Vortex
- Flushing Platform: Washdown
- Flushing Type: Dual flush
- Flushing Volume: 2.6-4
- Trapway: Contact us for more information
- Rough In: 305
- Trapway Design: Fully Skirted
- Bowl Shape: Elongated
- Water Pressure, Dynamic (MPa): 0.137
- Water Pressure, Static (MPa): N/A
- Material: Vitreous China
- Color Availability: White

**SHIPPING WEIGHT**

- Net Weight: 56.7
- Gross Weight: 63.9

KEY TECHNOLOGIES AND FEATURES**HYGIENE**

- Proguard
- ComfortClean
- Double Vortex

COMFORT

- Comfort Push Button
- Right Height

CONVENIENCE

- Skirted Design
- Slow-Closing Seat & Cover

DURABILITY

- Complies with American Standard Quality Standards

SUSTAINABILITY

- Water-Saving
- Dual Flush

SAFETY

- Complies with American Standard Quality Standards

OTHERS

- NIL

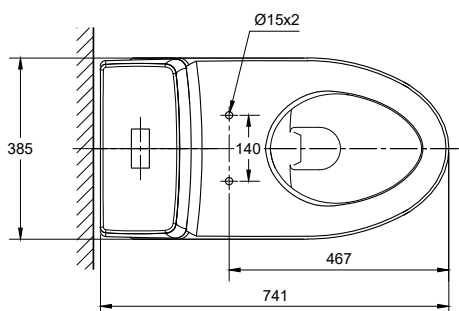
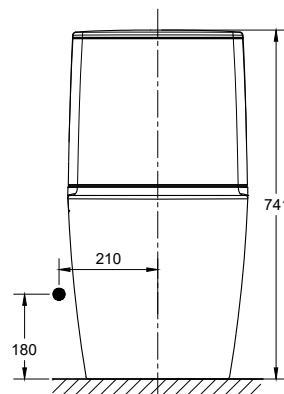
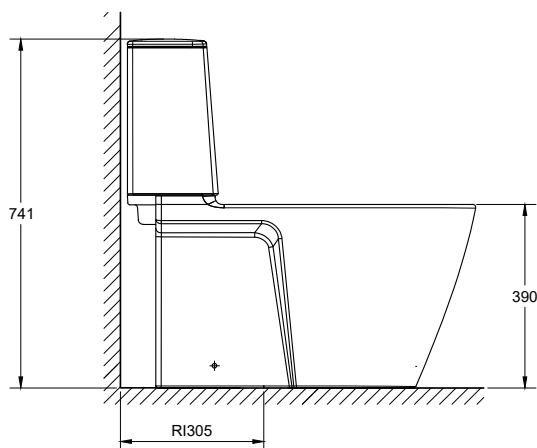
STANDARDS AND CERTIFICATIONS

- TIS 792-2554(2011)

CL23075-6DACTCB

Acacia Evolution

Acacia E CC Vortex 2.6/4 CBR Comp.set WT



CL23075-6DACTCB

Acacia Evolution

Acacia E CC Vortex 2.6/4 CBR Comp.set WT

Components	Toilet Seat Included	Yes
Shipping	Net Weight (kg)	56.7
	Gross Weight (kg)	63.9
	Product Weight (kg)	51.36
	Dimensions (mm)	975 x 470 x 525

CL23075-6DACTCB

Acacia Evolution

Acacia E CC Vortex 2.6/4 CBR Comp.set WT

Item	Description	ACACIA E CC WASH DOWN VORTEX
Dimensions	Product (mm)	741 x 385 x 741
Material & Color	Material	Vitreous China
	Color	White
Bowl	Shape	Elongated
Trapway	Type	Contact us for more information
	Rough-in (mm)	305
	Design	Fully Skirted
Flushing	System	Double Vortex
	Type	Dual flush
	Platform	Washdown
	Volume	2.6-4
Water Pressure	Dynamic (MPa)	0.137
	Static (MPa)	N/A
Installation	Type	Floor Mounted