

FFAS1703-101A00BT0

## Signature

### S-T 3-Hole Basin Mixer With Pop\_\_HG

#### STYLE SEGMENT

- Modern

#### KEY SPECIFICATIONS

- Product Description: Signature 3-Hole Basin Mixer With Pop-up drain\_\_HG
- Colour: Hard Graphite
- Faucet Type: Mixer
- No. of Faucet Holes Required: 3
- Flow Rate: 3.8
- Is Drain Included: Yes
- Connection Size (inches): G1/2



#### SHIPPING WEIGHT

- Net Weight: 2.79
- Gross Weight: 2.99

#### KEY TECHNOLOGIES AND FEATURES

##### HYGIENE

- Complies with American Standard Quality Standards

##### COMFORT

- ComfortMove

##### CONVENIENCE

- Complies with American Standard Quality Standards

##### DURABILITY

- Durashine

##### SUSTAINABILITY

- Complies with American Standard Quality Standards

##### SAFETY

- Complies with American Standard Quality Standards

##### OTHERS

- NIL

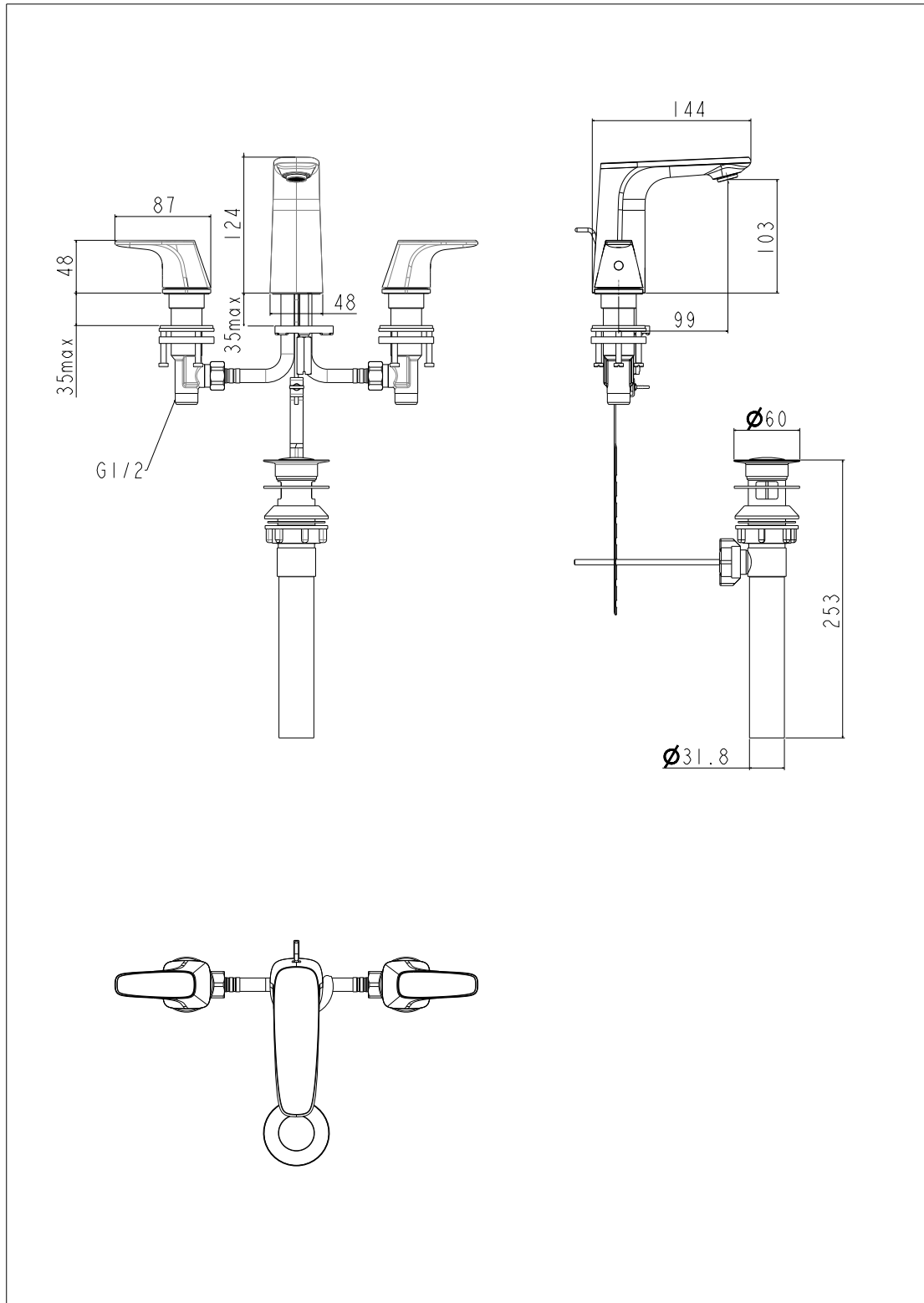
#### STANDARDS AND CERTIFICATIONS

- TIS 2067-2552

FFAS1703-101A00BT0

Signature

S-T 3-Hole Basin Mixer With Pop\_HG



FFAS1703-101A00BT0

## Signature

## S-T 3-Hole Basin Mixer With Pop\_\_HG

<b>Product</b>	Description	Signature 3-Hole Basin Mixer With Pop-up drain__HG
	Weight (kg)	2.79
	Finish	PVD
	Flow Rate	3.8
	Mounting Location	Deck Mount
<b>Material &amp; Color</b>	Material	Brass
	Color	Hard Graphite
<b>Faucet</b>	Type	Mixer
	No. of Holes Required	3
<b>Connection</b>	Size (mm)	G1/2
	Size (inches)	G1/2
<b>Handle</b>	Material	Zinc Die Cast
	Type	Lever
	No. of Handles	2
<b>Components</b>	Drain Included	Yes
	Included	N/A
	Excluded	N/A
<b>Spout</b>	Hose Thread in Spout	No
	Dimensions (mm)	99,103
	Type	Ceramic
<b>Valve</b>	Type	Standard