

FFAS1772-701A00BTO

Signature

Signature Exposed Bath&Shower Mixer_HG

STYLE SEGMENT

- Modern

KEY SPECIFICATIONS

- Product Description: Signature Exposed Bath&Shower Mixer_HG
- Bathroom Faucet Type: Exposed Bath & Shower
- Colour: Hard Graphite
- Hand Shower Included: Yes
- Flow Rate: Spout,7.5
- Head Shower,5.1
- Hand Shower,4.6

SHIPPING WEIGHT

- Net Weight: Contact us for more information
- Gross Weight: Contact us for more information

KEY TECHNOLOGIES AND FEATURES

HYGIENE

- Complies with American Standard Quality Standards

COMFORT

- EasyClick

CONVENIENCE

- TWISTFREE

DURABILITY

- Durashine

SUSTAINABILITY

- Airnergize

SAFETY

- Complies with American Standard Quality Standards

OTHERS

- NIL

STANDARDS AND CERTIFICATIONS

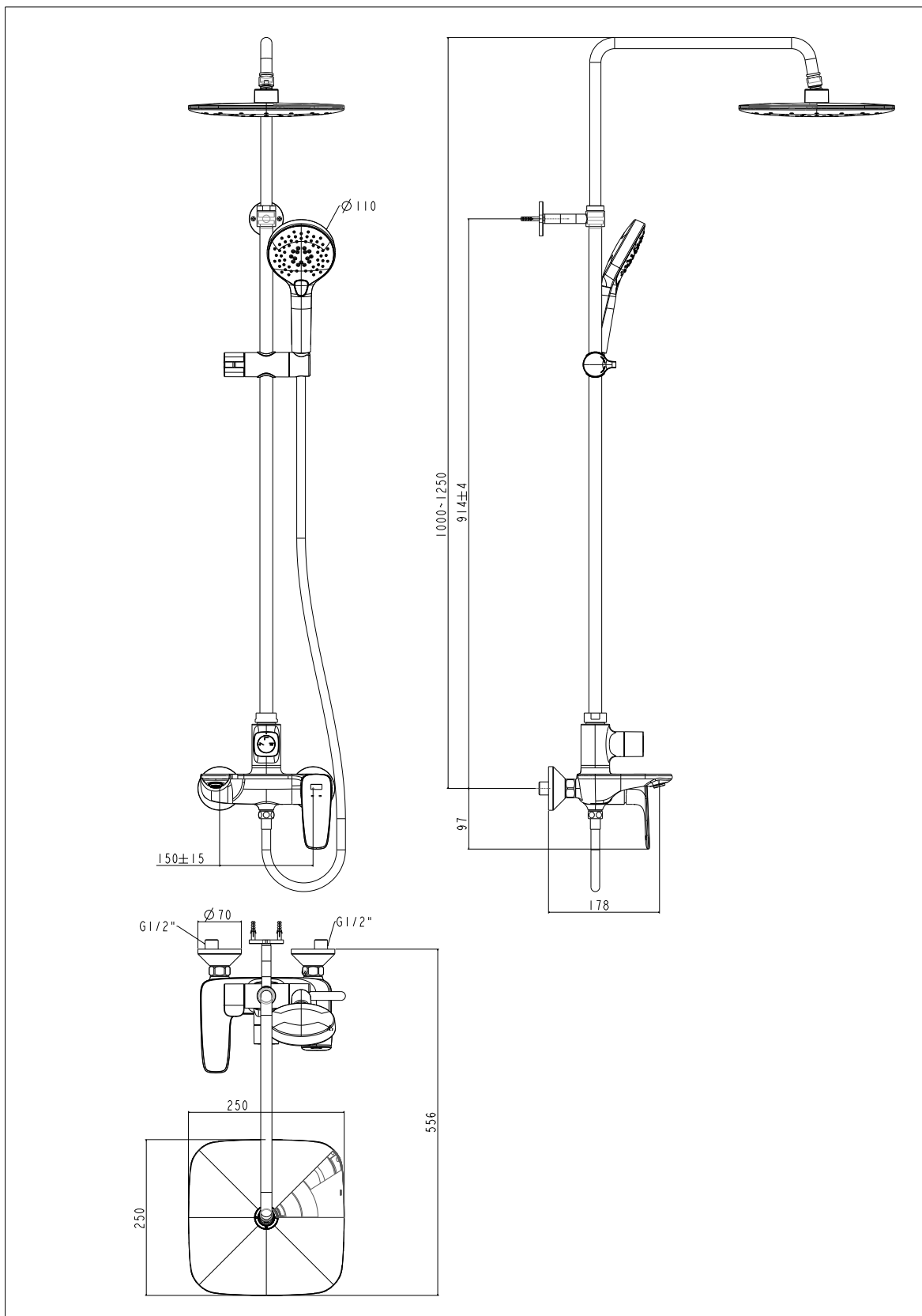
- TIS 2066-2552



FFAS1772-701A00BTO

Signature

Signature Exposed Bath&Shower Mixer_HG



FFAS1772-701A00BTO

Signature

Signature Exposed Bath&Shower Mixer_HG

Product	Description	Signature Exposed Bath&Shower Mixer_HG
	Weight (kg)	5.93
	Dimensions (mm)	1347x250x556
	Finish	PVD
	Flow Rate	Spout,7.5 Head Shower,5.1 Hand Shower,4.6
	Mounting Location	Wall Mount
Material & Color	Material	Brass
	Color	Hard Graphite
Bathroom Faucet	Type	Exposed Bath & Shower
Faucet	Type	Mixer
Connection	Size (mm)	G1/2
	Size (inches)	G1/2
Handle	Material	Zinc Die Cast
	Type	Lever
	No. of Handles	2

FFAS1772-701A00BTO

Signature

Signature Exposed Bath&Shower Mixer_HG

Components	Hand Shower Included	Yes
	Included	N/A
	Excluded	N/A
Installation	Number of Holes Required	2
Valve	Type	Ceramic