

FFASTS28-000A00BT0

DuoSTiX

DuoSTiX™ Hygiene Spray\_A00

#### STYLE SEGMENT

- Transitional

#### KEY SPECIFICATIONS

- Product Dimensions: 252x112x81
- Material: Plastic
- Color Availability: Contact us for more information
- Flow Rate: 5.06
- Additional Components Included: Contact us for more information
- Hose Included: Yes

#### SHIPPING WEIGHT

- Net Weight: Contact us for more information
- Gross Weight: Contact us for more information

#### KEY TECHNOLOGIES AND FEATURES

##### HYGIENE

- Complies with American Standard Quality Standards

##### COMFORT

- Complies with American Standard Quality Standards

##### CONVENIENCE

- Complies with American Standard Quality Standards

##### DURABILITY

- Complies with American Standard Quality Standards

##### SUSTAINABILITY

- Complies with American Standard Quality Standards

##### SAFETY

- Complies with American Standard Quality Standards

##### OTHERS

- NIL

#### STANDARDS AND CERTIFICATIONS

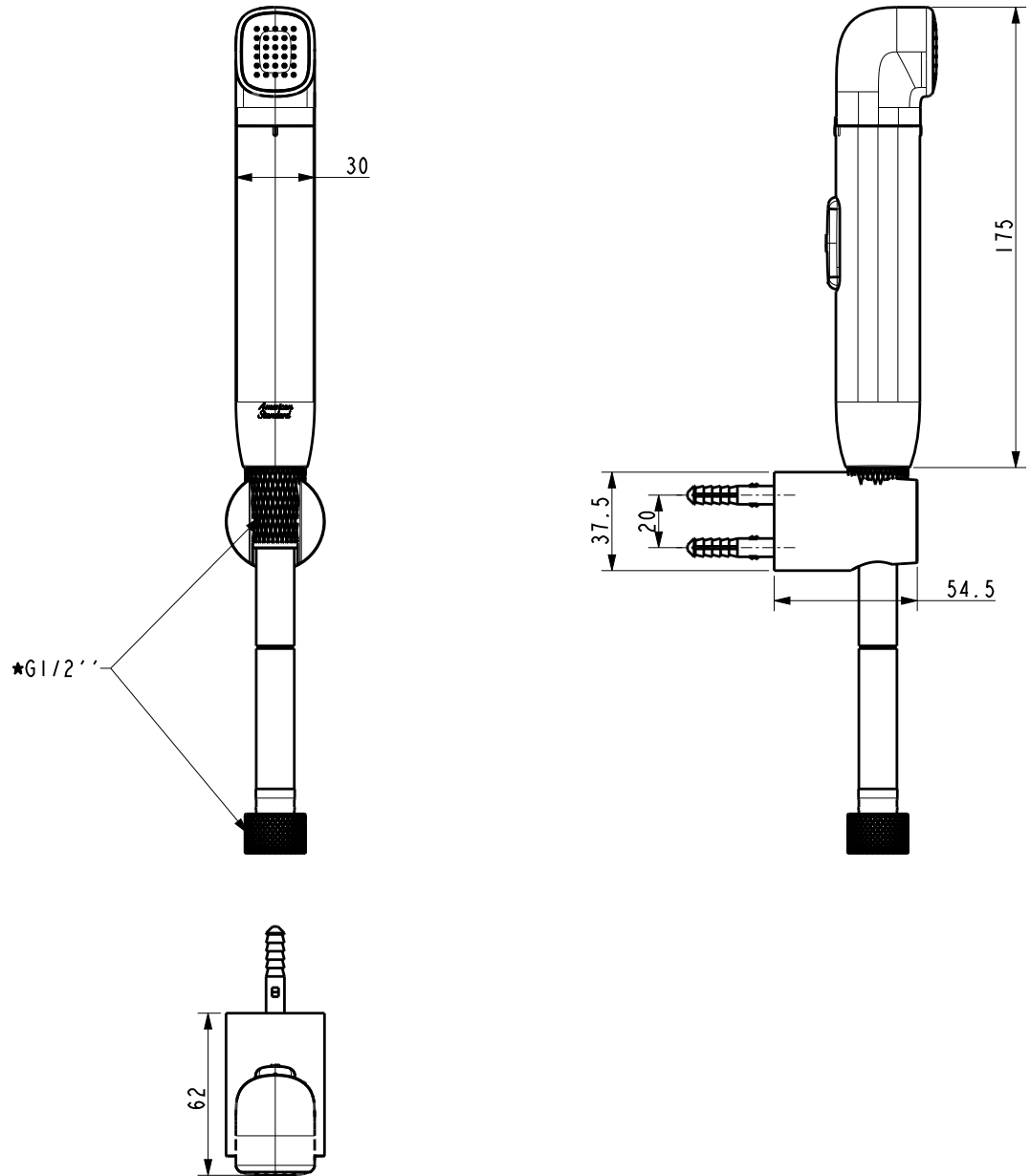
- GB/T 23447-2009



FFASTS28-000A00BT0

DuoSTiX

DuoSTiX™ Hygiene Spray\_A00



FFASTS28-000A00BT0

DuoSTiX

DuoSTiX™ Hygiene Spray\_A00

Components	Description	Contact us for more information
	Weight (kg)	0.44
	Dimensions (mm)	252x112x81
	Material	Plastic
	Flow Rate	5.06
Shipping	Additional Components Included	Contact us for more information
	Hose Included	Yes